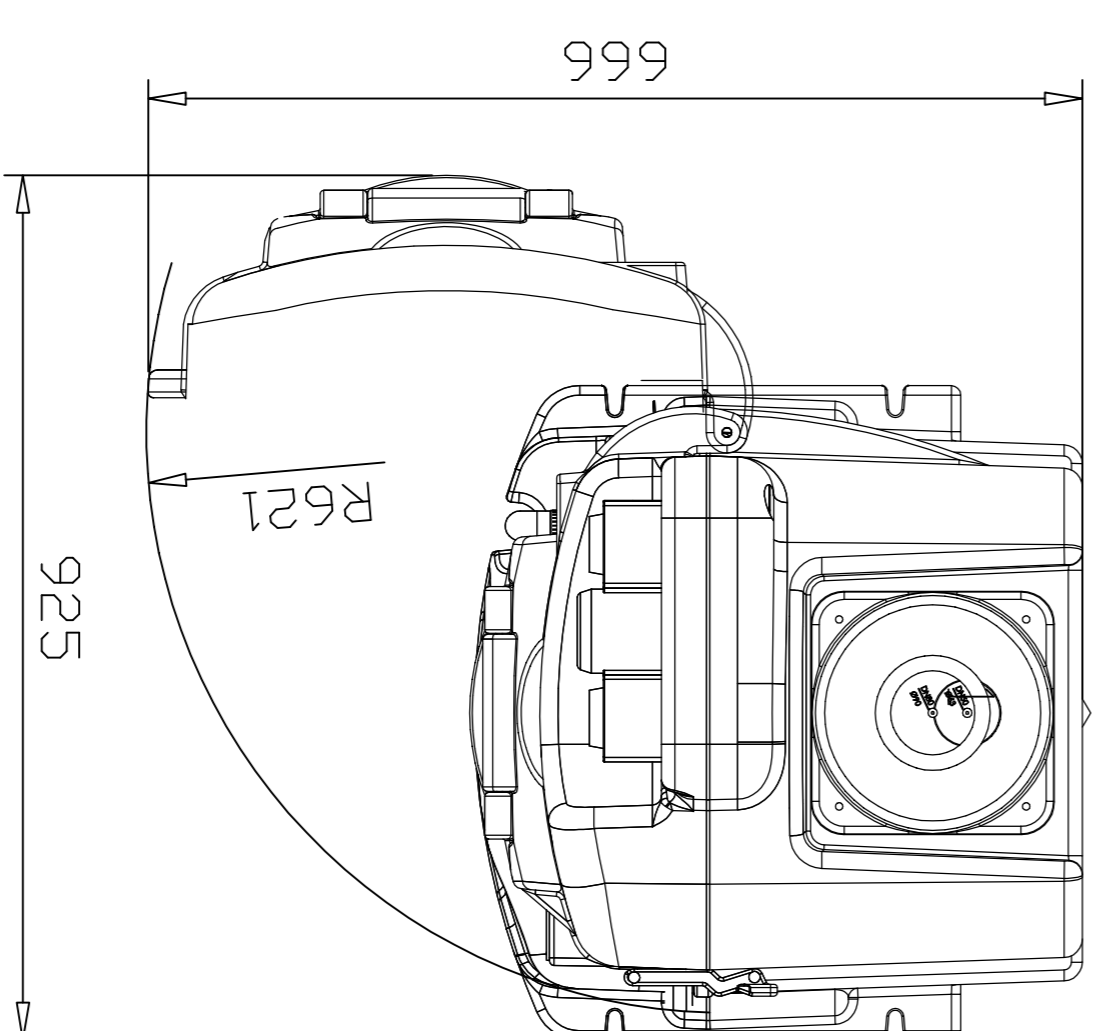
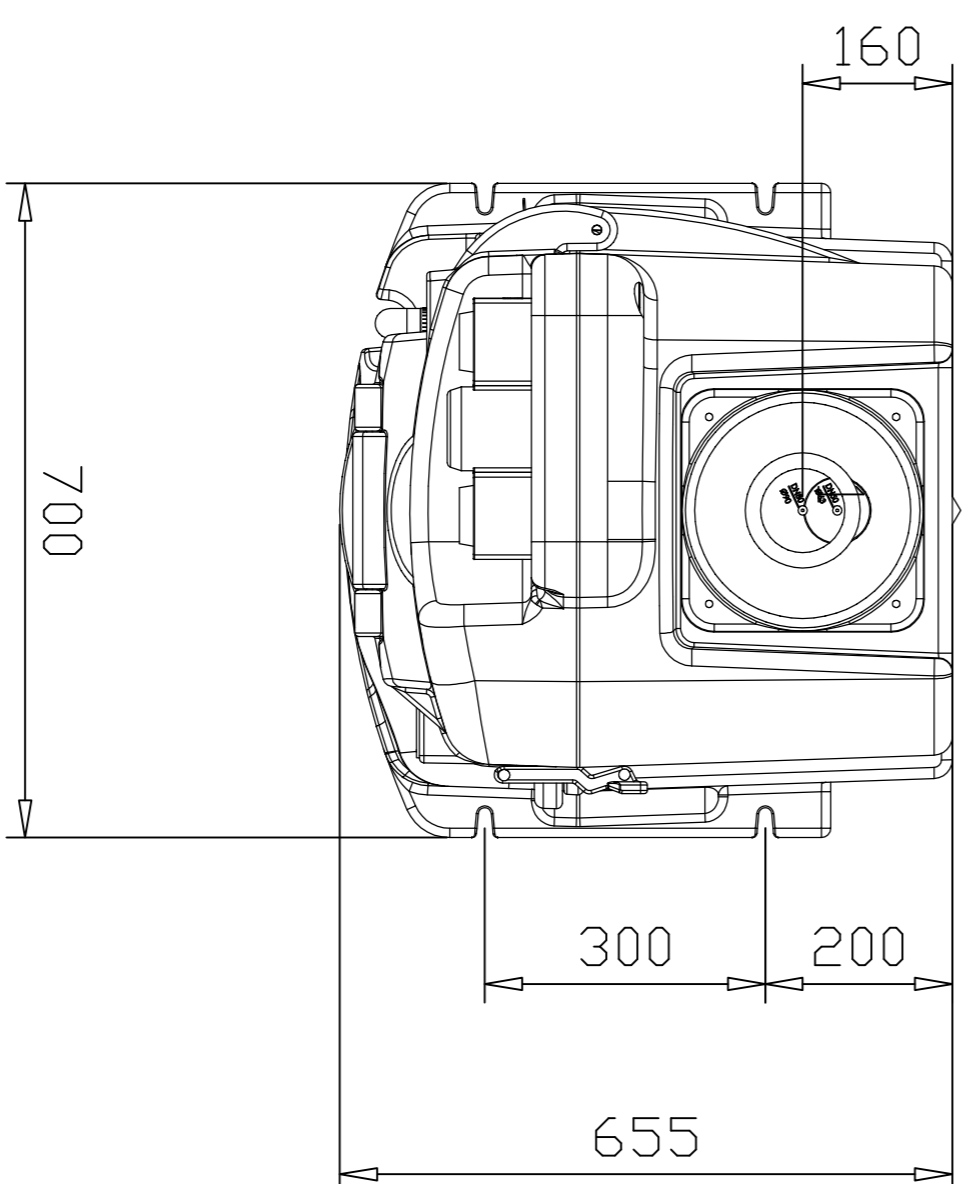
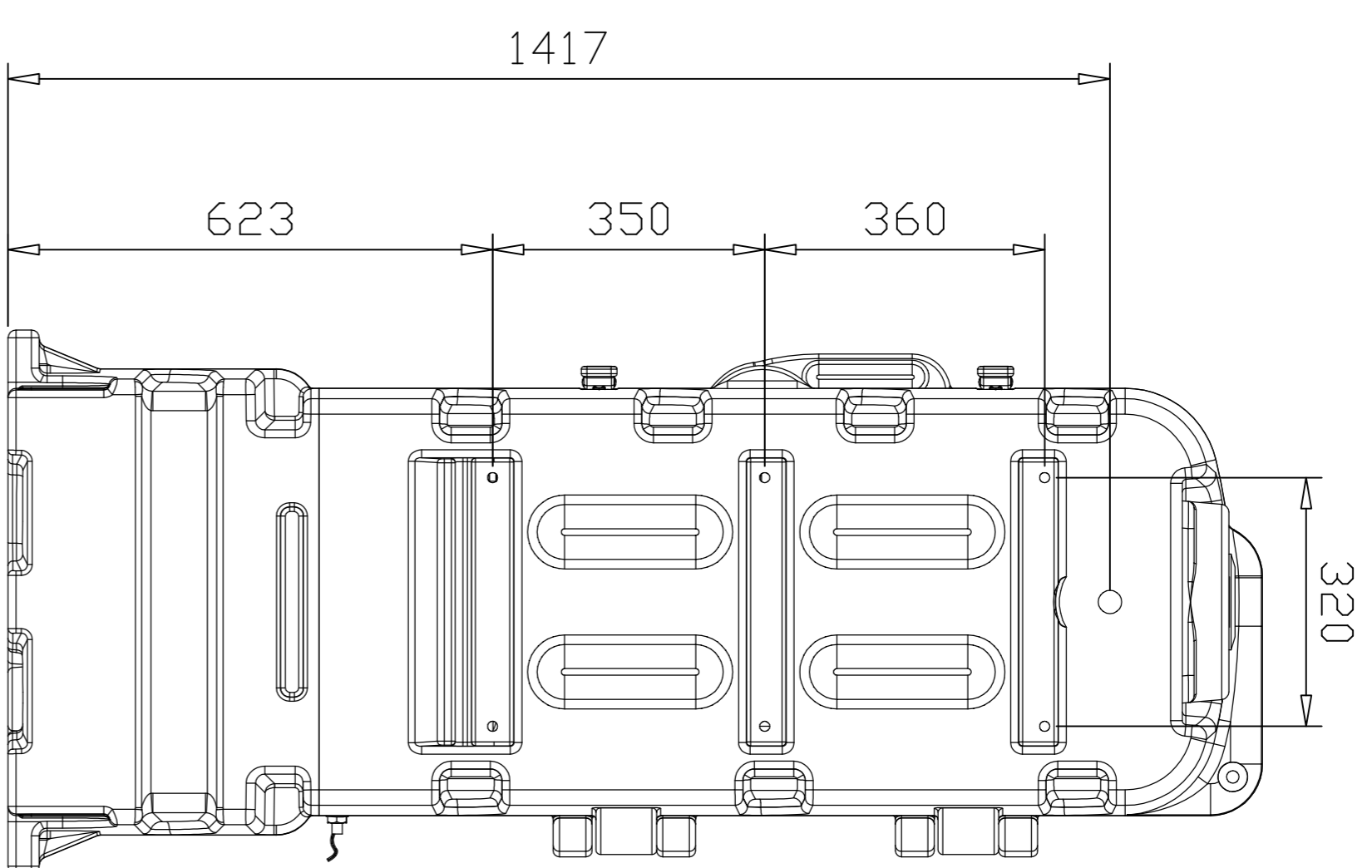
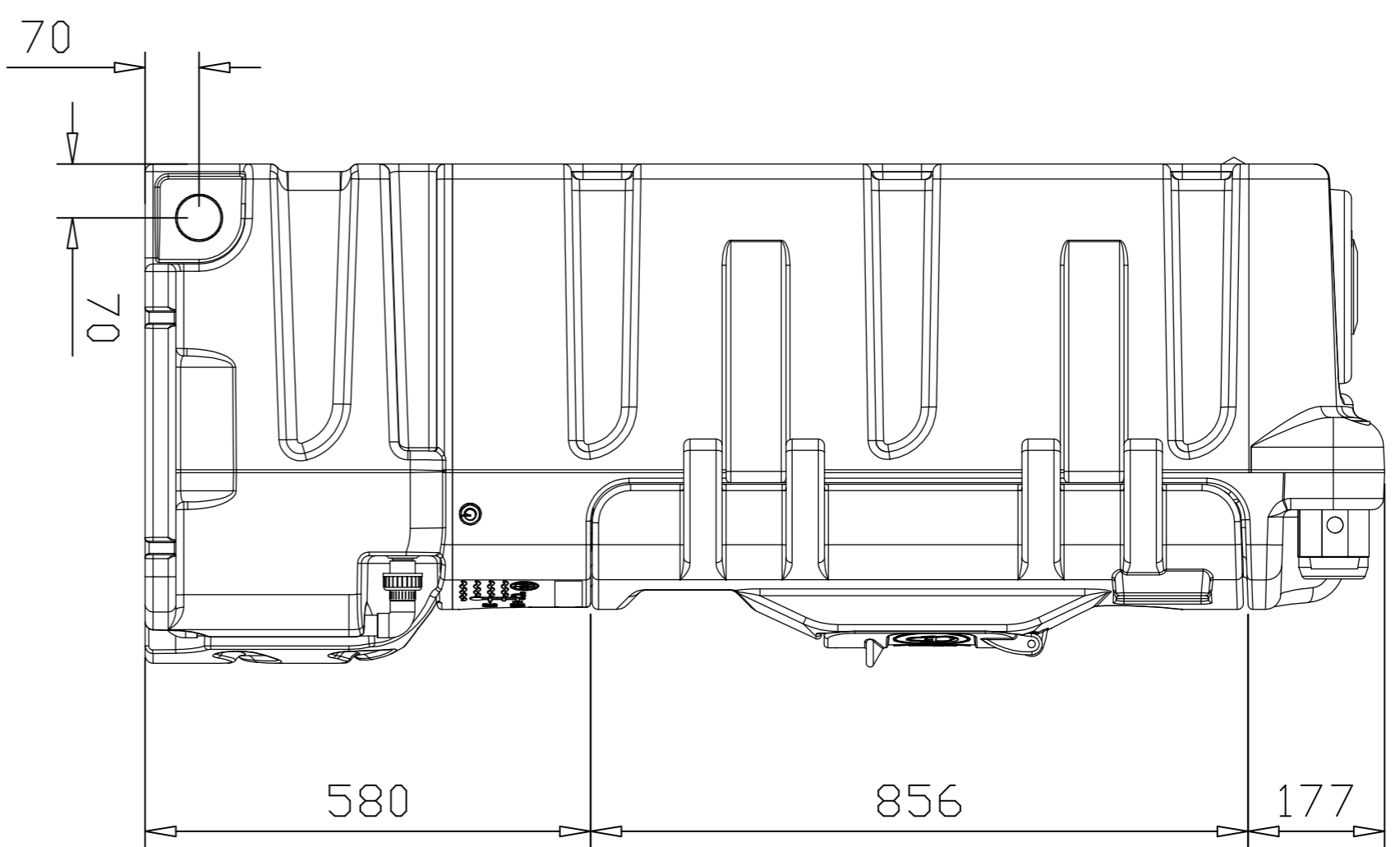
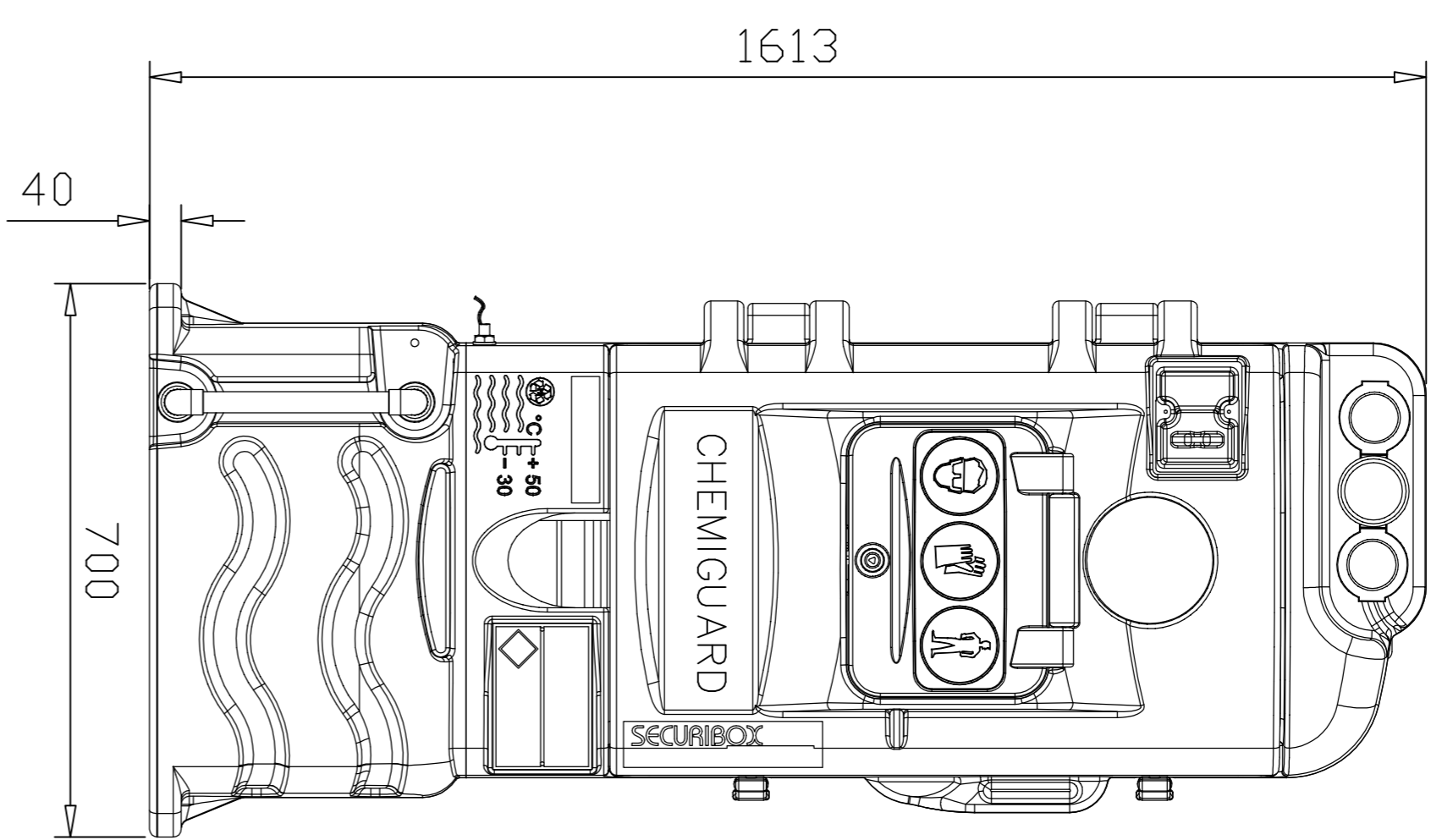


DO NOT SCALE - IF IN DOUBT ASK



APPROVED
WORKING DRAWING

SIGNED: _____ DATE: _____
NAME: _____

THE INFORMATION ON THIS DRAWING IS STRICTLY CONFIDENTIAL TO CHEM RESIST GROUP LTD AND SHALL NOT BE DISCLOSED TO A THIRD PARTY WITHOUT PRIOR WRITTEN CONSENT © COPYRIGHT 2010

INSPECTION & TESTING
HYDROSTATIC TEST REQUIRED-YES
TANK TO BE FILLED WITH WATER FOR 8 HOURS MINIMUM

CHEM RESIST
EUROPE

Britannia House
Lockway
Rosenhthorpe
Dewsbury
West Yorkshire
LS23 7BA
UK
Tel: +44 (0) 1924 499466
Fax: +44 (0) 1924 490334
WWW: http://www.chemresist.com

JOB NO: NA CE NO: NA MATERIAL: NA
TITLE: PRESSURED / BLOWN CHEMIGAUARD TANK SCALE: NA
DRAWN BY: CHW PRC No. CC-001

DATE: 4/11/15